

PA40Dx-44QF-34 Data Sheet

40 pin DIP socket/44 pin QFP plug

Supported Device/Footprints

These adapters accept 40 pin DIP devices and have a removable 44 pin QFP solder-down plug. They allow DIP devices, or emulators with DIP plugs, to be used during development of QFP based products.

The following DIP device footprints are converted to the indicated QFP footprint.

Zilog: Z86C34/ C35/ C36/ C44/ C45/ C46

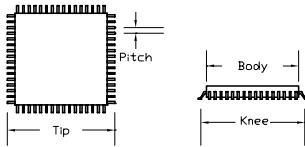
Footprint: Same device 44QFP

Other devices that require the same wiring and footprint would also be supported.

This QFP plug will fit most 44 pin. 0.8mm pitch, QFP land patterns. Usually the pads extend from the body past the tip of the device leads. This plug will fit on pads that have a minimum span of 10.0mm or less and a maximum span of 12.0mm or more.

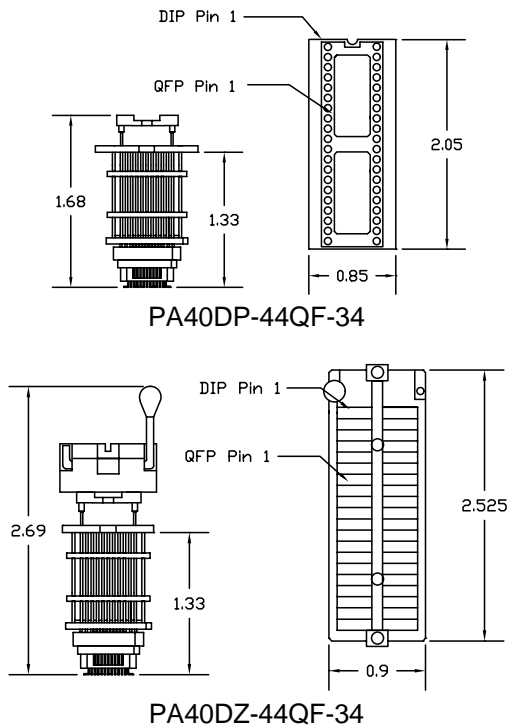
Inner pad span	Outer pad span
10.0mm or less	12.0mm or more

The QFP Plug's leads are dimensioned as follows.



Plug	Body	Knee	Tip	Pitch
PQF-44	10.0 mm typ	9.6 mm typ	12.0 mm typ	0.8 mm

Adapter Dimensions



Adapter Construction

The adapter is made up of 3 or 4 sub-assemblies. They assemble via connectors making the adapter modular. This way the sub-assemblies can be replaced easily.

When disassembling the adapter take care not to bend the pins. When reassembling the adapter note the pin 1 indicators to align the parts correctly.

The following chart lists the adapters described by this datasheet and their subassemblies.

Adapter	Test Socket	Board	QFP Plug
PA40DZ-44QF-34	40-ADZ *	PA51-DP-34Q	PQF-44
PA40DP-44QF-34	none *	PA51-DP-34Q	PQF-44

* The top board always has a 40 pin DIP production socket. The optional test socket plugs into the production socket.

Test Socket

LSC #	Style	Mfgr/Pn
40ADZ	DIP ZIF	Aries 40-6554-11

Adapter Wiring

The following chart shows the connections from the DIP device to the adapter's QFP plug.

DIP Socket	SIGNAL	QFP Plug	QFP Plug	SIGNAL	DIP Socket
1	R/W	40	39	N/C	-
2	P25	41	38	DS	40
3	P26	42	37	P24	39
4	P27	43	36	P23	38
5	P04	44	35	P22	37
6	P05	1	34	P21	36
7	P06	2	33	P20	35
8	P14	3	32	P03	34
9	P15	4	31	P13	33
10	P07	5	30	P12	32
11	Vcc	6	29	GND	31
11	Vcc	7	28	GND	31
12	P16	8	27	P02	30
13	P17	9	26	P11	29
14	XTAL2	10	25	P10	28
15	XTAL1	11	24	P01	27
16	P31	12	23	P00	26
17	P32	13	22	P30	25
18	P33	14	21	P36	24
19	P34	15	20	P37	23
20	AS	16	19	P35	22
-	R/RL	17	18	RESET	21

Skip short notation (1, 12, 23, 34) (12-13), (34-35) using "header" pin numbers.